

PILOT VALVE REPLACEMENT

ABS Base Mount (854-0122)

1. Removing old pilot valve (see figure 1 old configuration).

- Remove 1/4" black air hose (F) from compression elbow (G) from side port of existing pilot valve (H). (Be careful not to lose tube insert from end of black hose.)
2. Remove stainless steel braided hose (C) from pump outlet and from pilot valve elbow (D).
 3. Remove elbow (B) and nipple (A) from pump outlet.

Note: take note on how pilot valve (H), elbow (D) and tee fitting (L) is orientated, for the new pilot valve, elbow and tee fitting will be orientated in the same direction.

4. Remove pilot valve (H), nut (K) and tee fitting (L) from baseplate (J).
5. Remove compression elbow (G) from side of pilot valve (H) and install into side port of new pilot valve (5). Assemble so elbow is facing the same direction as original, use blue loctite.

(continued on next page)

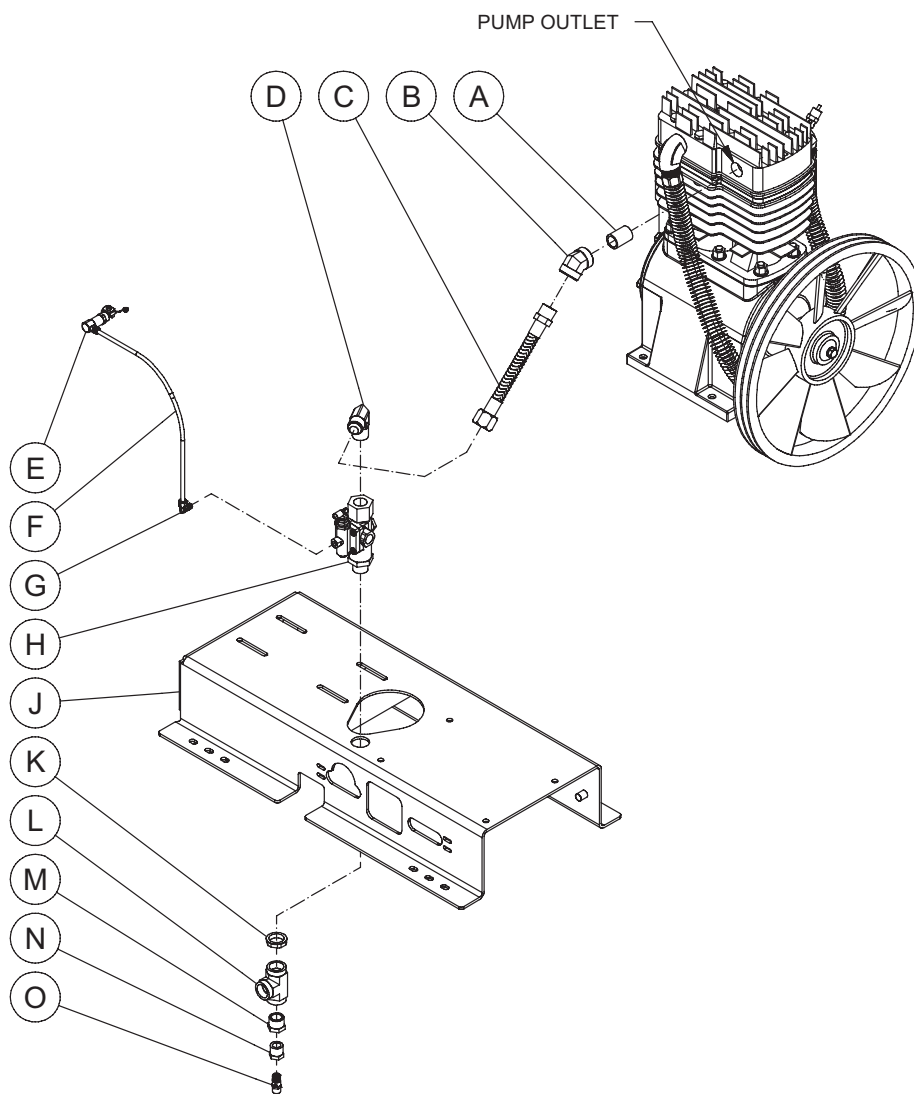


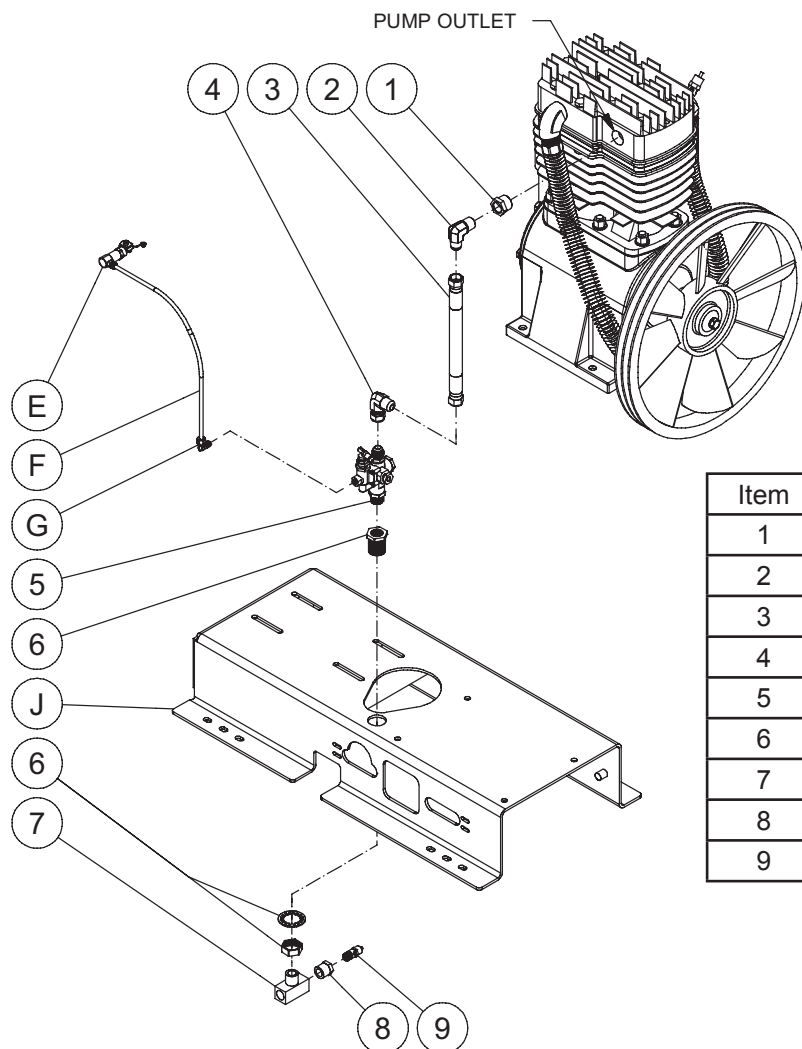
FIGURE 1 (OLD CONFIGURATION)

PILOT VALVE REPLACEMENT ABS Base Mount (854-0122)

(continued)

6. Installing new pilot valve (see figure 2 new configuration).

- Assemble tank adapter (6) onto new pilot valve (5). Use blue locktite.
 - Install assembled pilot valve assembly to existing hole in baseplate (J) with tank adapter washer and nut (6). Must face same direction as original.
7. Install tee fitting (7) to tank adapter (6). Use blue locktite. Must face same direction as original. (Will be on lower side of baseplate).
 8. Assemble pressure relief valve (9) and reducer fitting (8). Use blue locktite.
 9. Install assembled reducer fitting and relief valve to tee fitting (7). Use blue locktite. (Will be on lower side of baseplate)
 10. Assemble 90° elbow fitting (4) onto top of pilot valve (5). Use blue locktite. Elbow must face the correct direction.
 11. Assemble bushing (1) and 90° elbow fitting (2). Use blue locktite.
 12. Install assembled bushing and elbow to air compressor pump outlet. Use blue locktite, elbow must face down.
 13. Connect new stainless steel braided hose (3) to 90° elbow fitting (2) on the pump and elbow fitting (4) on the pilot valve.
 14. Connect 1/4" black air hose (F) from air throttle control valve (E) to compression elbow (G) on side of new pilot valve.



Item	Description	Part #	Qty
1	Bushing	23-0023	1
2	90° Elbow fitting	24-0074	1
3	Hose	15-0243	1
4	90° Elbow fitting	24-0272	1
5	Pilot valve	22-0270	1
6	Adapter	23-0365	1
7	Tee	23-0235	1
8	Reducer	23-0056	1
9	Pressure relief valve	22-0267	1

FIGURE 2 (NEW CONFIGURATION)

Mi-T-M Corporation
50 Mi-T-M Drive Peosta, IA 52068
Ph: 800-553-9053 - Fax: 563-556-1235

⚠ WARNING

⚠ **WARNING:** This product can expose you to chemicals including Lead, which is known to the State of California to cause cancer and birth defects or other reproductive harm. For more information go to www.P65Warnings.ca.gov